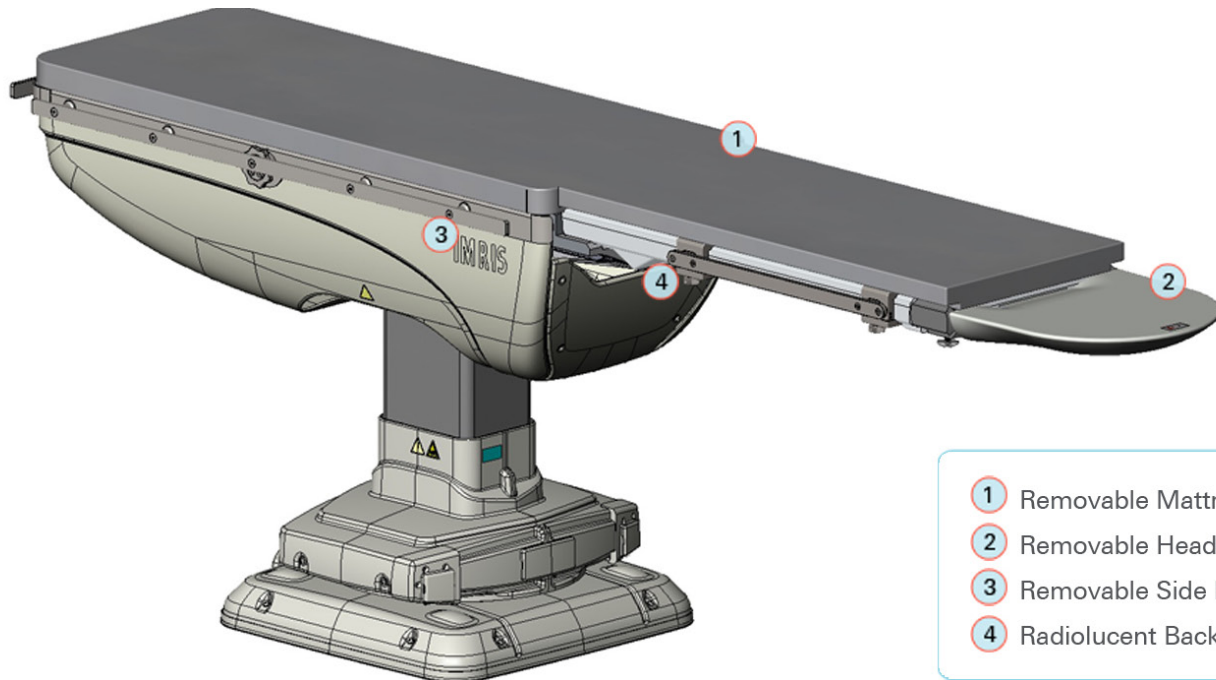


ORT300 Operating Room Table

A versatile solution for intraoperative MR imaging



- 1 Removable Mattress
- 2 Removable Headrest
- 3 Removable Side Rails
- 4 Radiolucent Back Section

Designed to support a variety of neurosurgical and spinal surgery procedures.

The ORT300 Operating Room Table is the latest addition to the VISIUS® Surgical Theatre. The unique table design enables intraoperative imaging and surgery in MR environments without moving the patient. Multiple head fixation options support a variety of neurosurgical and spinal surgery procedures. Collision detection sensors offer an additional layer of safety checks during intraoperative imaging.

Optimal Patient Positioning and Scanning Ranges

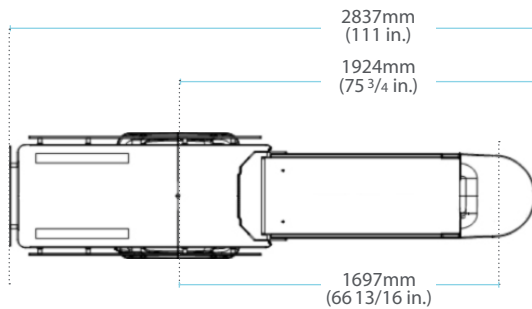
Integrated head fixation options allow patients to be placed in prone, supine and lateral positions for surgery and remain in optimal positioning for imaging. The ORT300 accommodates pediatric and adult patients.

The patient support accessory helps bolster shorter or pediatric patients in combination with the head fixation device.



OR Table Specifications

| | |
|------------------------|------------------------------|
| Pedestal | Fixed / Removable |
| Back section width | 450mm (17.7 in.) |
| Vertical lift | 711mm - 1016mm (28 - 40 in.) |
| Trendelenburg Tilt | +/- 15° |
| Hip Tilt | +/- 30° |
| Lateral Roll | +/- 20° |
| Rotation | +/- 180° (lock every 2.5°) |
| Table Weight | 480kg (1058 lbs.) |
| Maximum Patient Weight | 210kg (462 lbs.) |



Top View

Power Requirements

Supply voltage is 220VAC +/- 10% only. Power supply needs to be on isolated, emergency power. A UPS (4 KVA) is an option that can be added to emergency power.

Structural & Siting Requirements

Floor slab must support 630kg (1389 lbs.) loading plus a tension force of 482kg (1100 lbs.) per anchor.

ORT Table Cart

The removable model of the ORT300 allows use of other application-specific tables, thereby increasing the range of procedures that can be performed in the OR without the imaging system. The custom-designed cart does not require external power and features 360° swivel wheels for easy transport and storage of the table.



Empty Cart:
Stored when not in use



Loaded Cart:
Table disassembled and parts safely stowed