

ORT100 Operating Room Table

MR-conditional, radiolucent table for neurosurgery



- 1 Removable Mattress
- 2 Removable Headrest
- 3 Removable Side Rails
- 4 Radiolucent Back Section
- 5 Swivel Release Pedal
- 6 Table Movement Control Pendant

VISIUS Surgical Theatre features the only OR tables that are safe for use in an MR environment.

IMRIS' unique table design enables intraoperative MR imaging in the surgical suite without moving the patient. The ORT100's radiolucent back section and removable side rails allow the surgeon to perform X-ray imaging of the head, neck, chest and spine.

The fully functional OR table allows the patient to be positioned optimally for surgical access and imaging for a wide range of procedures.

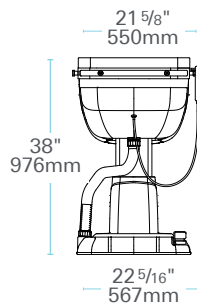
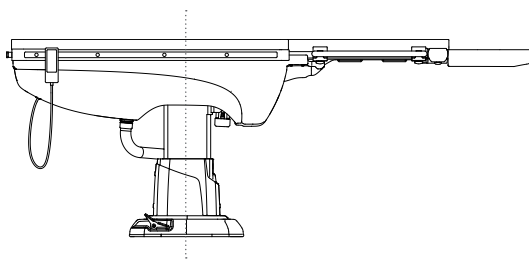
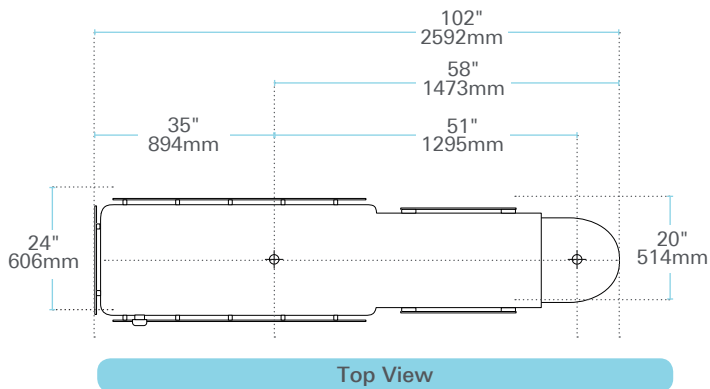
With an integrated head fixation system, patients can be placed in prone, supine and lateral positions for surgery and remain in place for imaging. The table's removable headrest provides support when fixation is not required.

Capable of supporting 462 lbs, the ORT100 accommodates pediatric and adult patients. An adjustable extension board can be used to ensure smaller patients are optimally positioned for surgical and imaging requirements. The fixed pedestal design features an advanced hydraulic system for smooth and precise table movement.



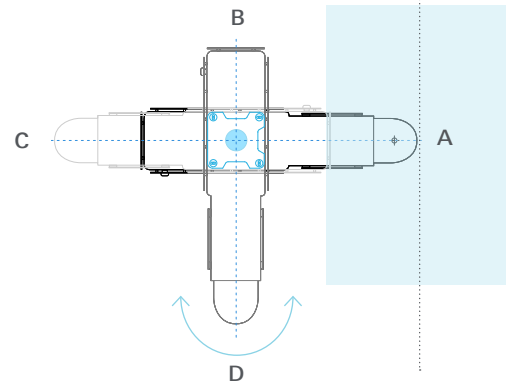
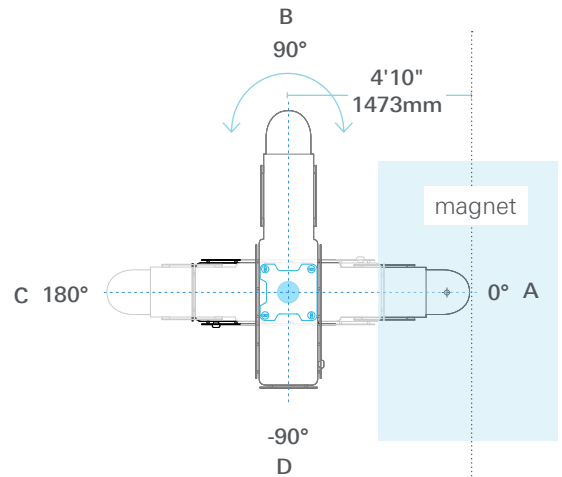
OR Table Specifications

Pedestal	Fixed
Back section width	17.7" (450mm)
Vertical lift	28 - 40" (711mm to 1016mm)
Trendelenburg Tilt	+/-15°
Hip Tilt	+/-30°/0°
Lateral Roll	+/-20°
Rotation	90° and 180° from magnet axis
Table Weight	816lb (370kg)
Maximum Patient Weight	462lb (210kg)



OR Table Rotation

The ORT100 table has locking points at every two degrees of rotation between 90° and 180°. An option for rotation must be selected prior to installation.



Power Requirements:

Supply voltage is 220VAC +/- 10% only. Power supply needs to be on isolated, emergency power. A UPS (4 KVA) is an option that can be added to emergency power.

Structural Requirements:

Floor slab must support 1389lb (630kg) loading plus a tension force of 1100lb (482kg) per anchor.